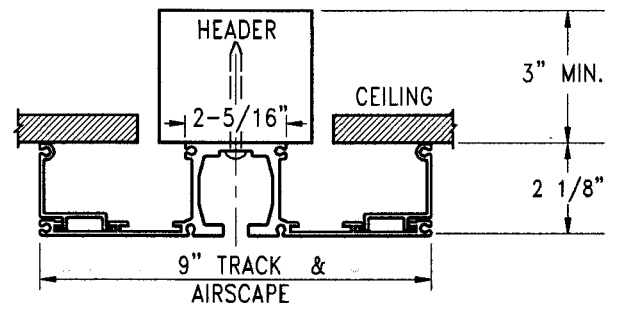
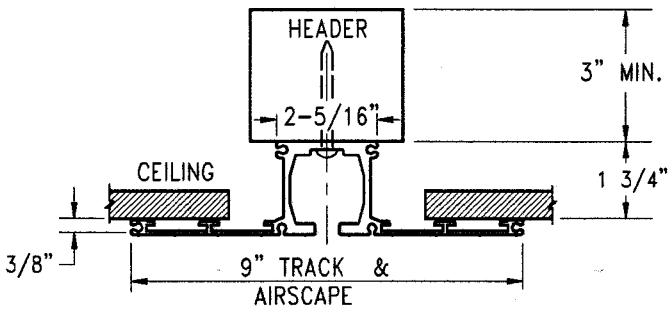
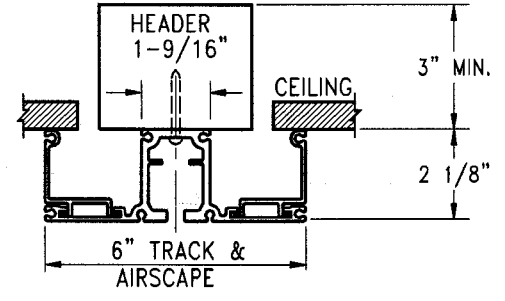
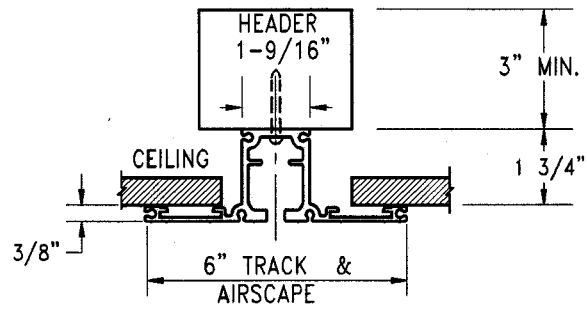


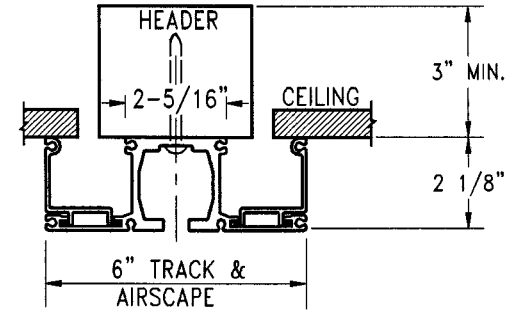
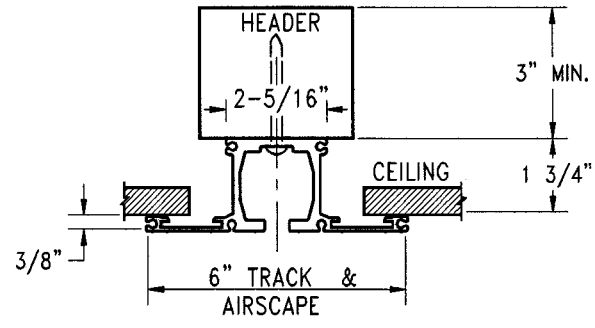
STARLINE X12
SOUNDGUARD 41/44



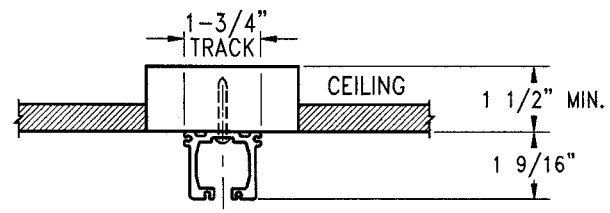
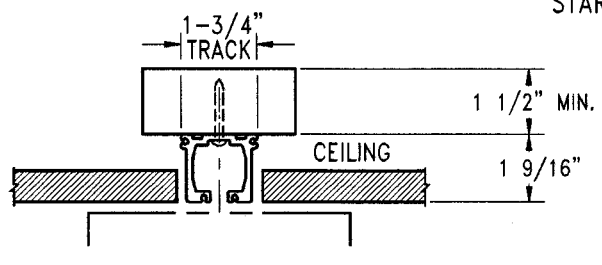
STARLINE X8
SOUNDGUARD 37/39



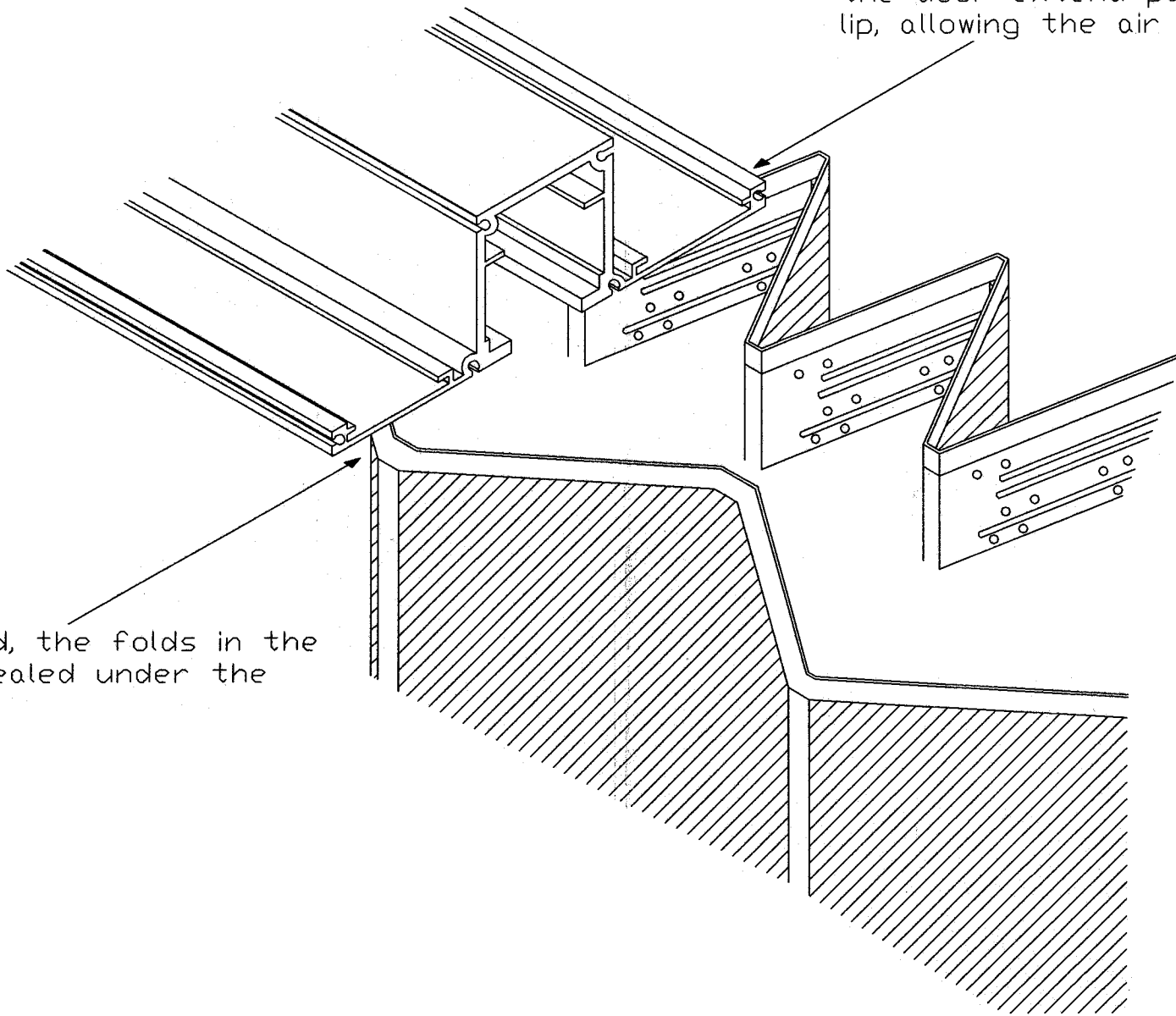
STARLINE X8
STARLINE X12
SOUNDGUARD 37/39



STARLINE X8

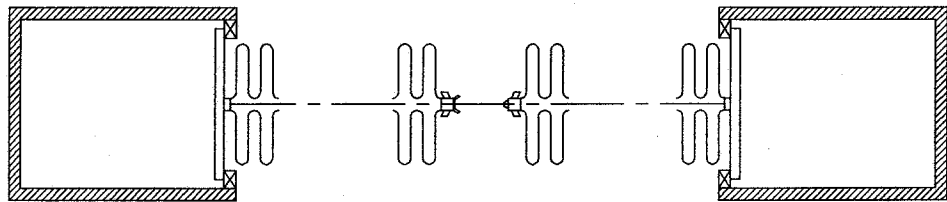


When compressed, the folds in the door extend past the Airscape lip, allowing the air to release.

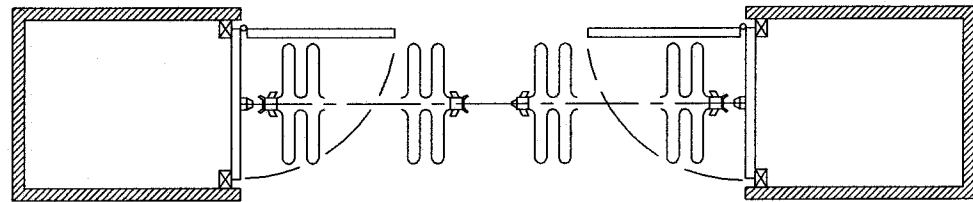


When extended, the folds in the door remain sealed under the Airscape lip.

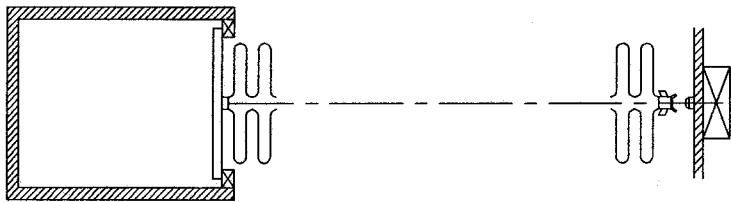
PAIRED DOORS WITH SLIDING JAMBS



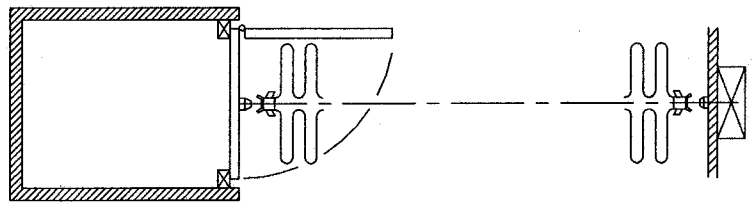
PAIRED DOORS WITH ROLLING POST



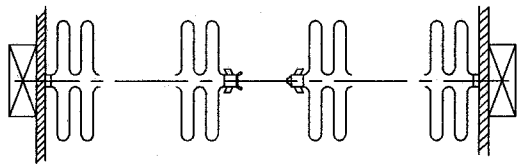
SLIDING JAMB WITH POCKET



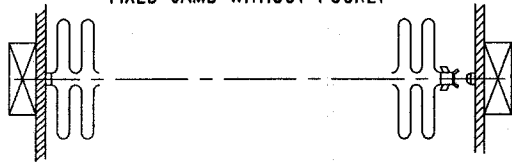
ROLLING POST WITH POCKET



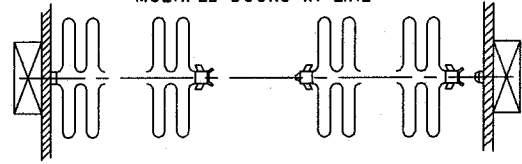
PAIRED DOORS

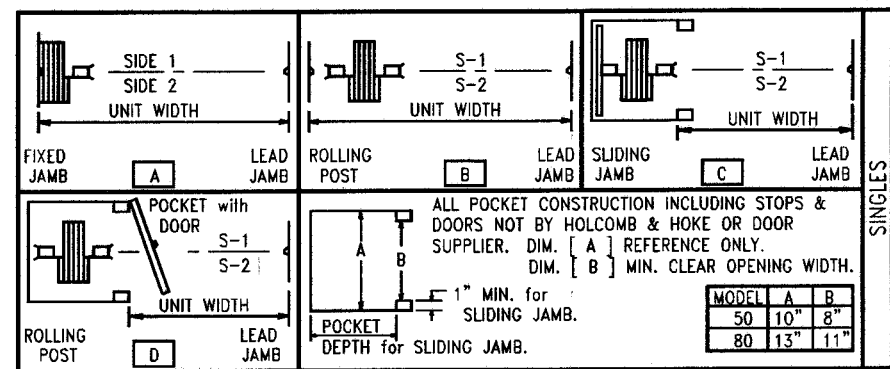
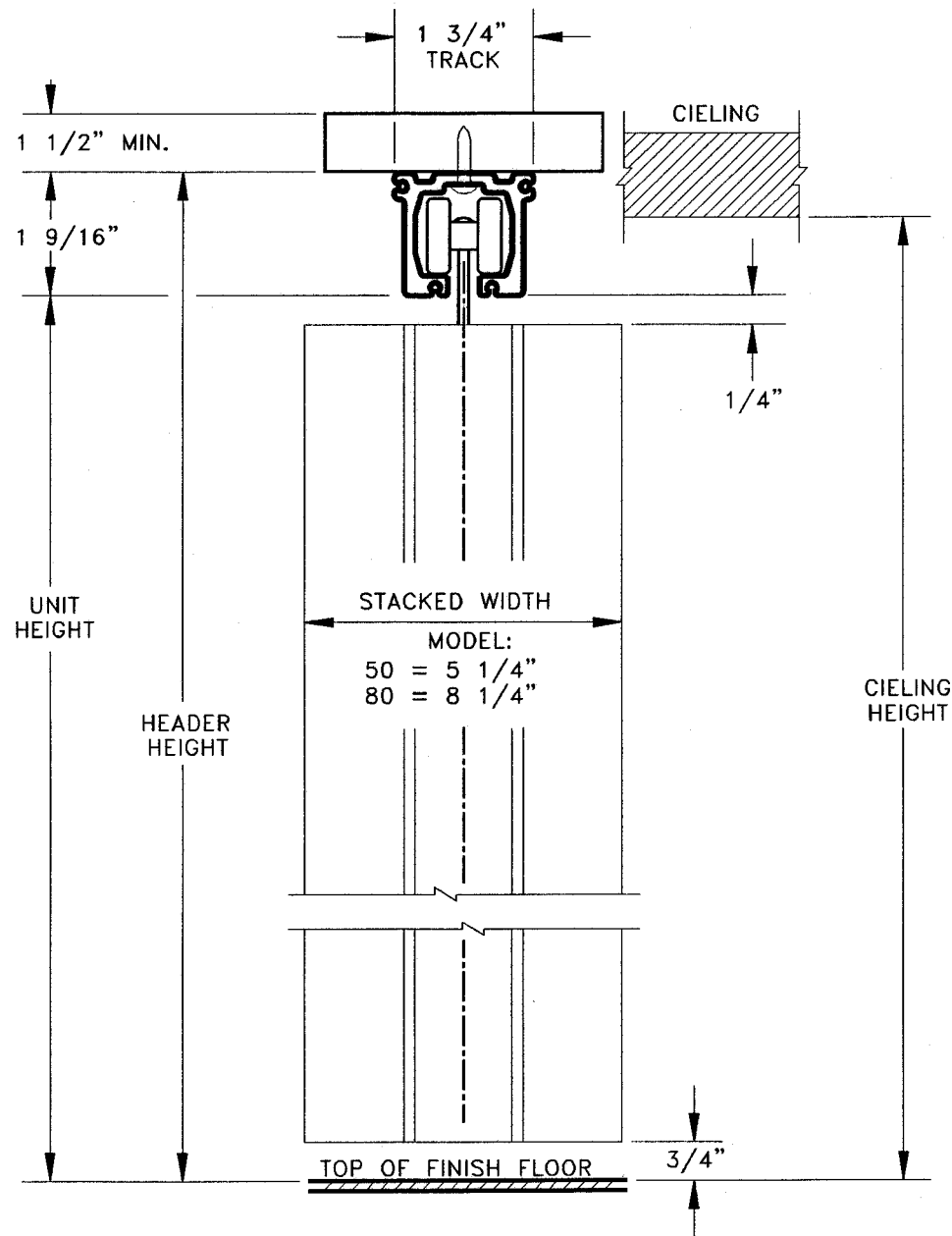


FIXED JAMB WITHOUT POCKET

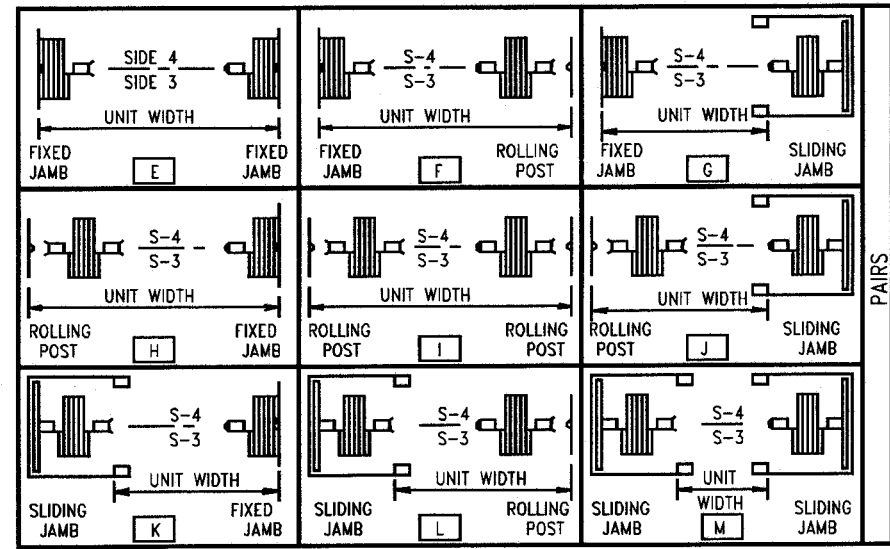


MULTIPLE DOORS IN LINE





PLAN VIEWS



SINGLES

PAIRS