

Twin Radial Rotating Disc Carriers

Vinyl Sound Seal
Horizontal Face Trim

Acoustic Fill
Vertical Trim

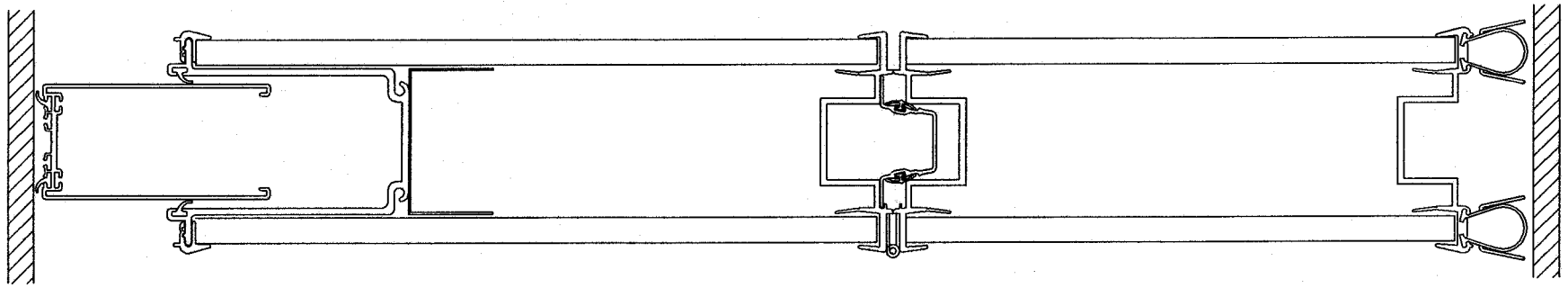
Panel Finishes:
Vinyl, Acoustical Carpet
Woven Fabric

1" Interlocking Astragal

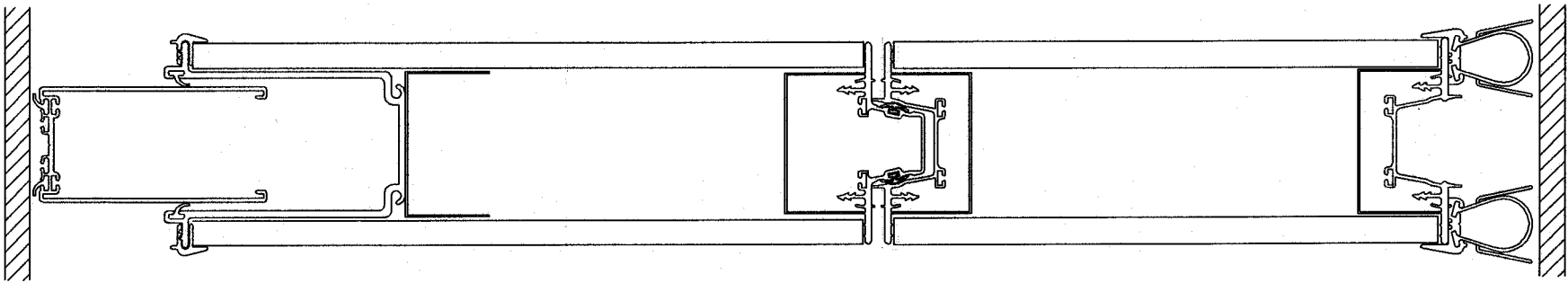
Substrate:
Gypsum/Steel
Particle Board

Horizontal Face Trim

Bottom Mechanical Seal
Up to 2"



400R

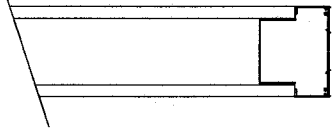


400

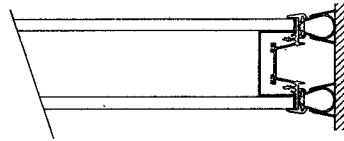
400 SERIES

400R SERIES

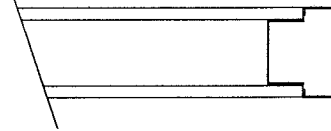
Panel w/Finished End



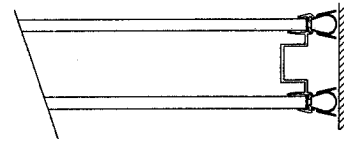
Standard 1" Bulb Seal



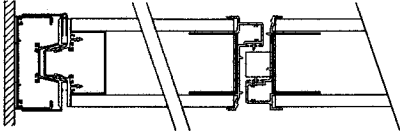
Panel w/Finished End



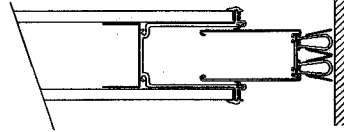
Standard 1" Bulb Seal



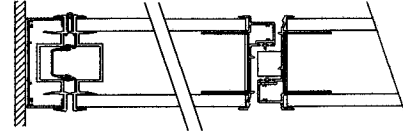
Hinged Panel Closure



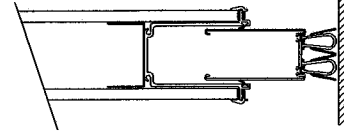
Adjustable Bulb Seal



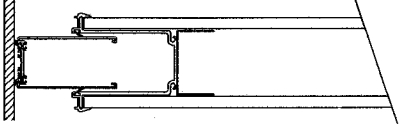
Hinged Panel Closure



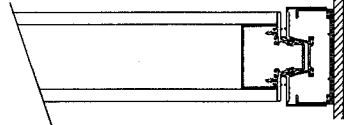
Adjustable Bulb Seal



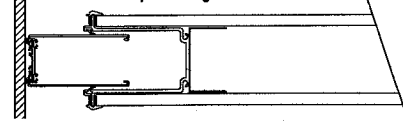
Expanding Panel



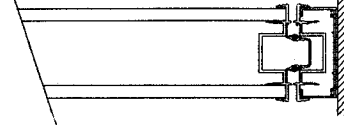
Structural Wall Jamb



Expanding Panel

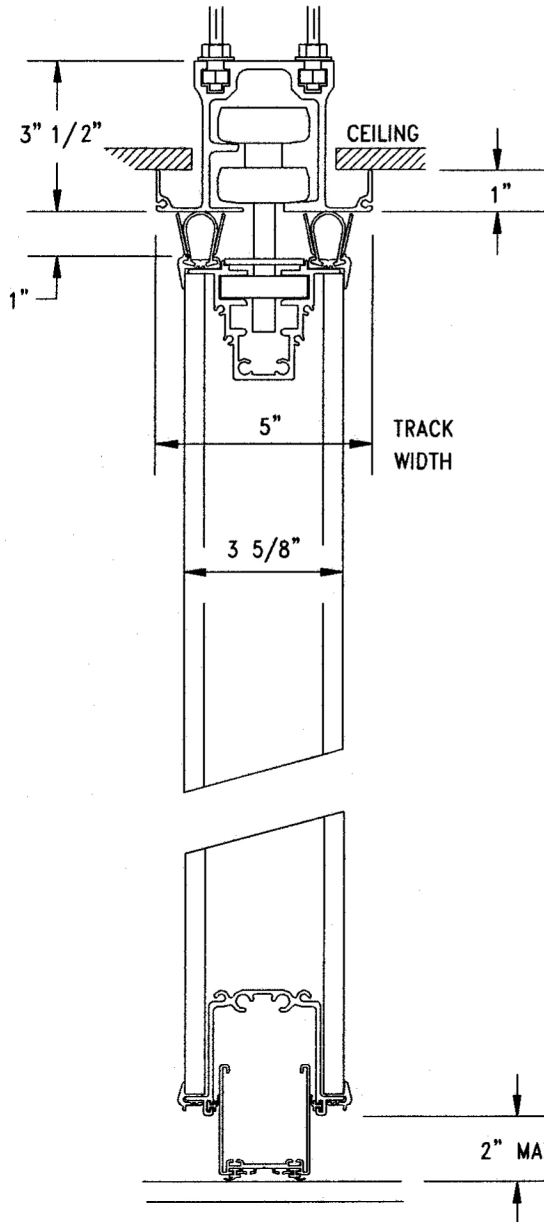


Structural Wall Jamb

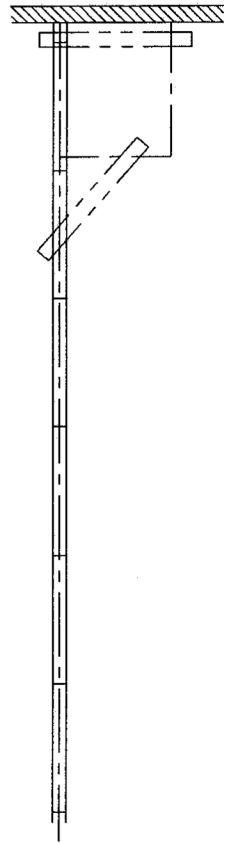
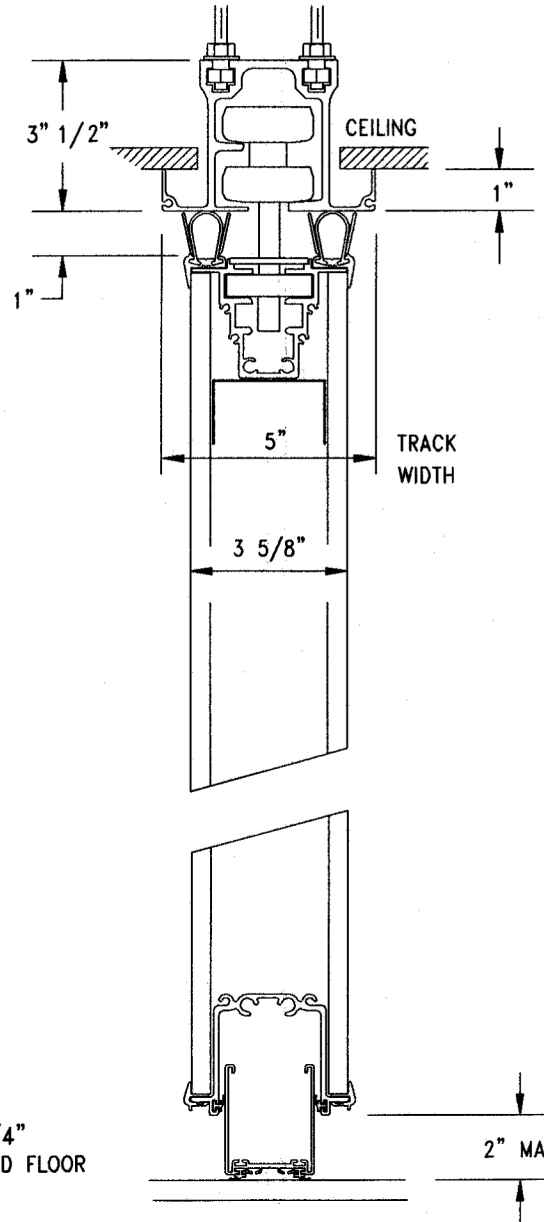


SINGLE PANELS

SERIES 400R TRIMMED PANEL



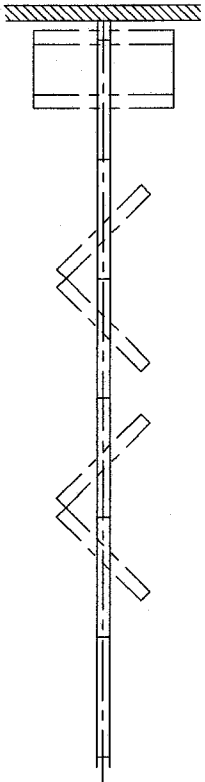
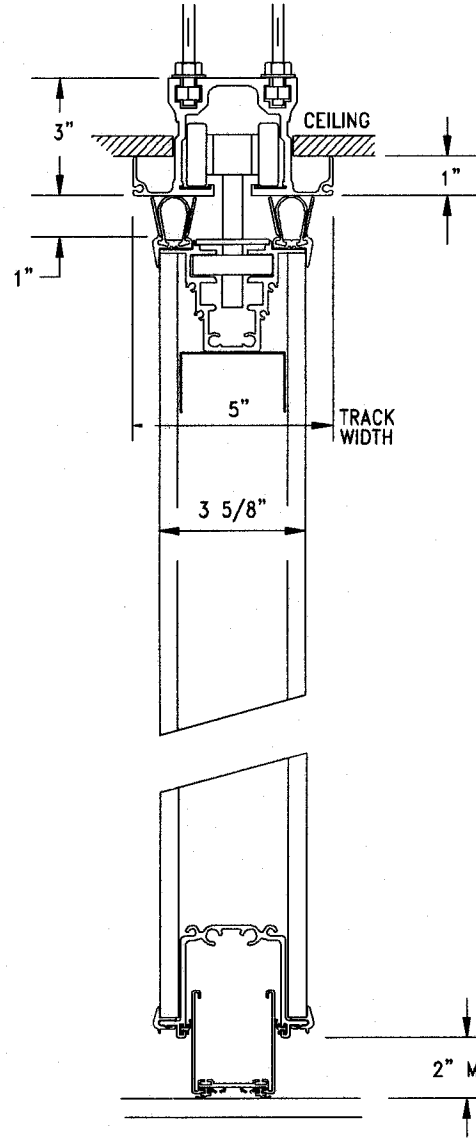
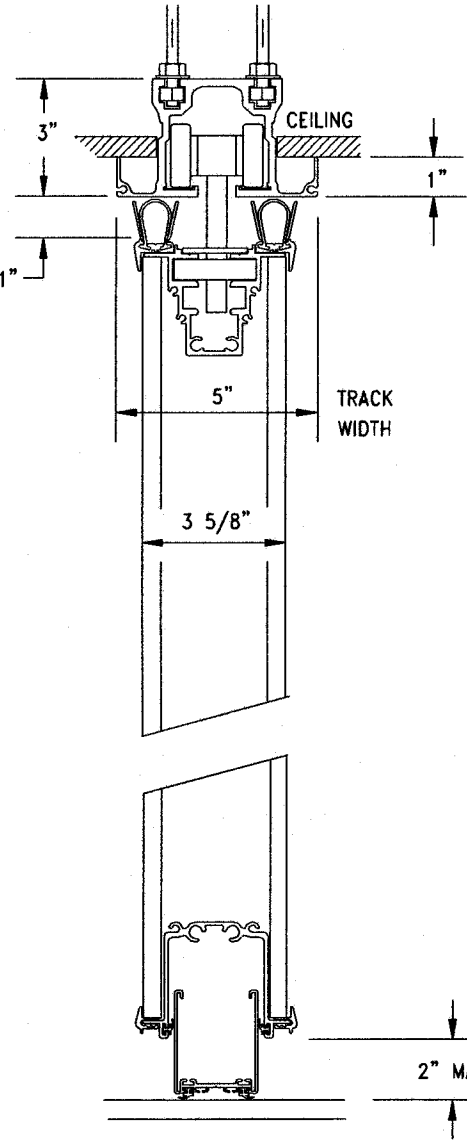
SERIES 400 WRAPPED EDGE PANEL



PAIRED PANELS

SERIES 400R TRIMMED PANEL

SERIES 400 WRAPPED EDGE PANEL

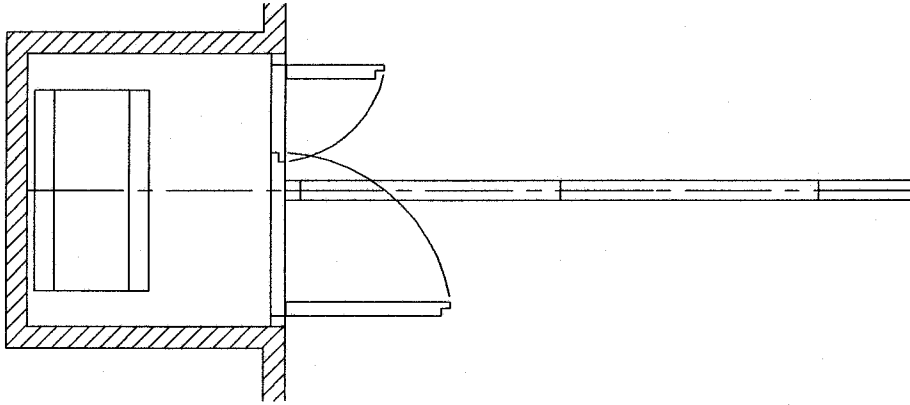


Nominal 1 1/4"
TOP of FINISHED FLOOR

Nominal 1 1/4"
TOP of FINISHED FLOOR

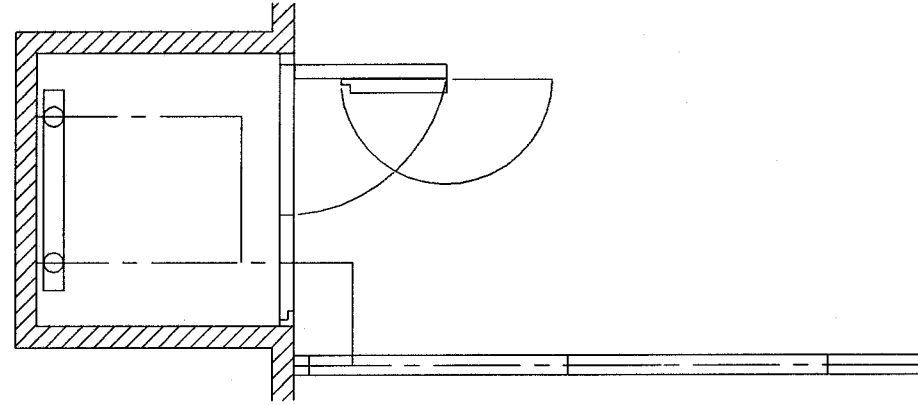
TYPE II

Door with
Paired Panels



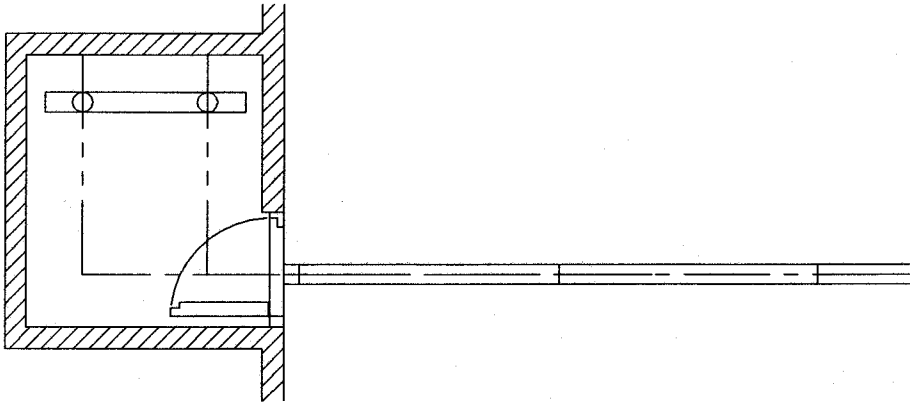
TYPE IV

Door with
Single Panels



TYPE I

Door with
Single Panels



TYPE III

Door with
Paired Panels

